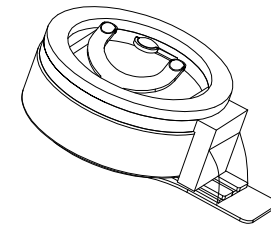
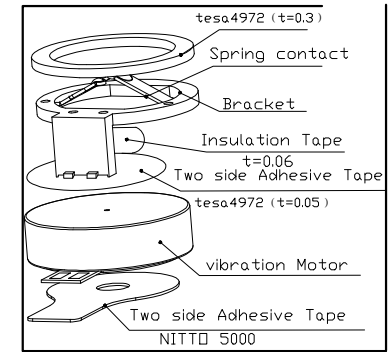


Electric Contact Area



Product model	Rated voltage	Starting voltage	Rated speed	Rated current
LCM1027	3.0(V)DC	2.3VDC Max	10000rpm min	80mA MAX