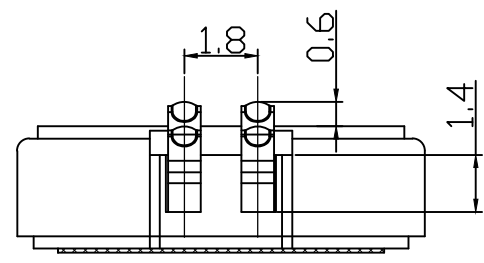
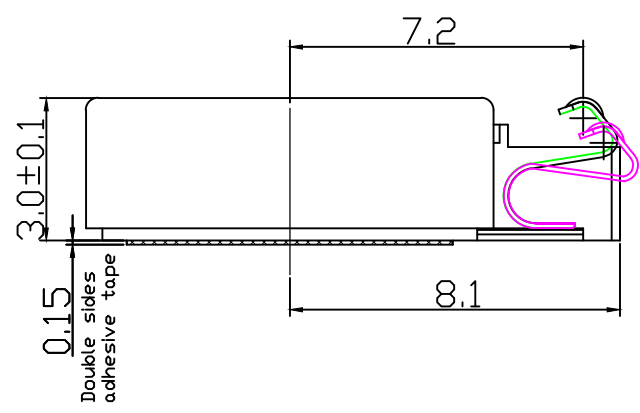
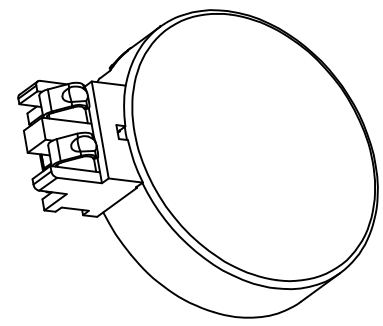
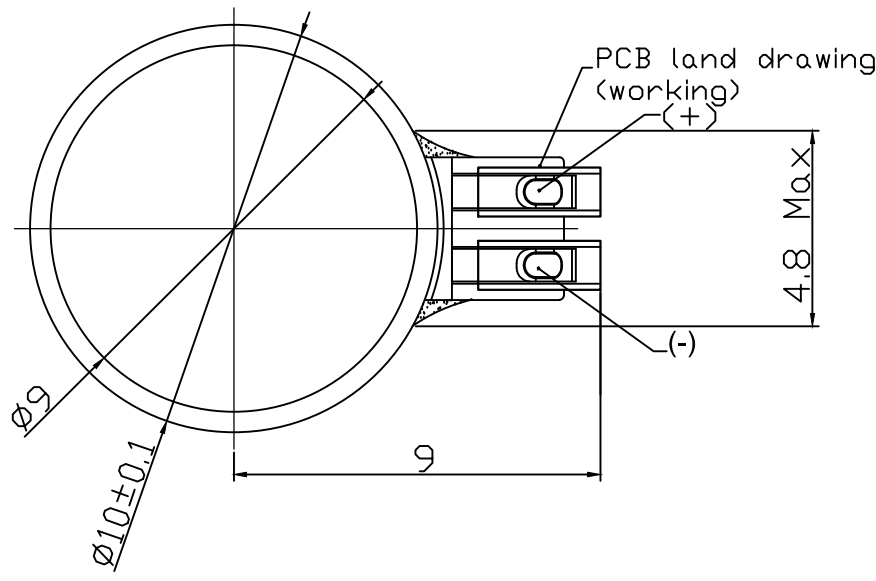


1 2 3 4 5 6 7 8

A
B
C
D
E
F



Product model	Rated voltage	Starting voltage	Rated speed	Rated current
LCM1030	3.0(V)DC	2.3VDC Max	10000rpm min	80mA MAX

1 2 3 4 5 6 7 8